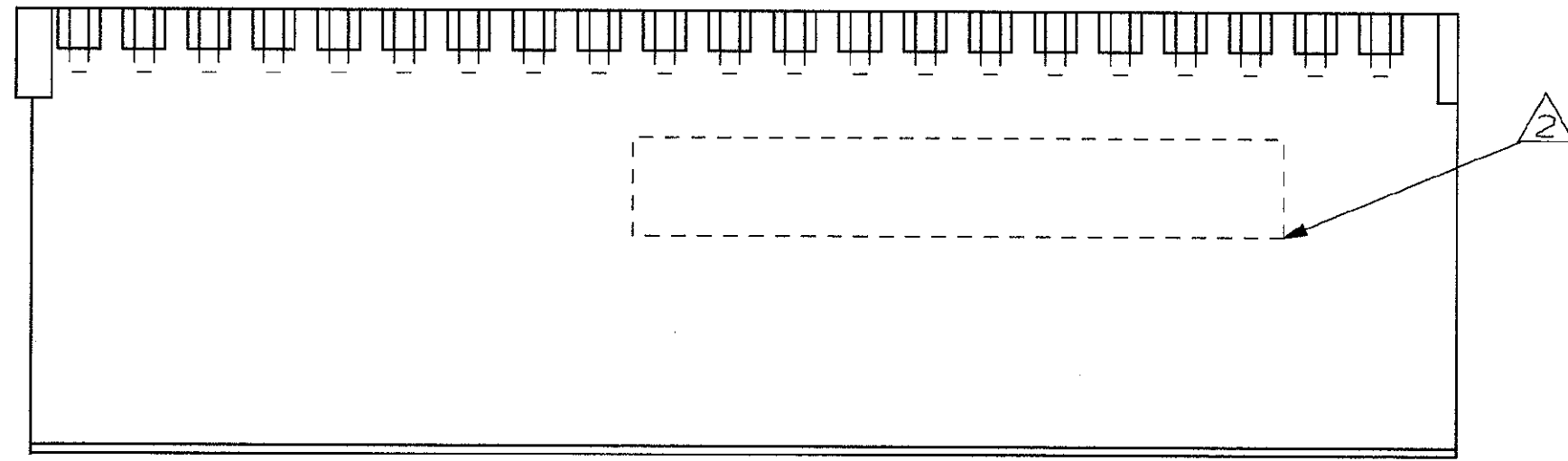


DO NOT SCALE
DIMENSIONS IN mm

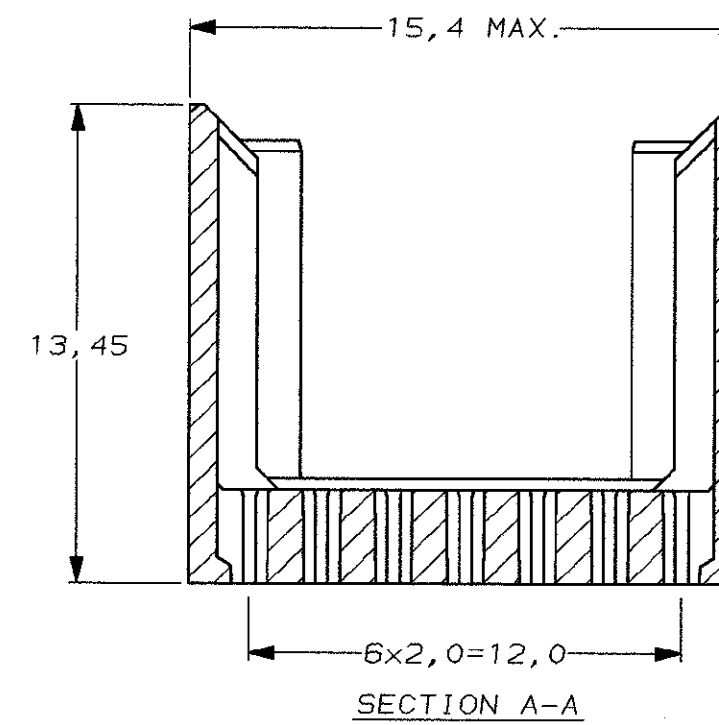
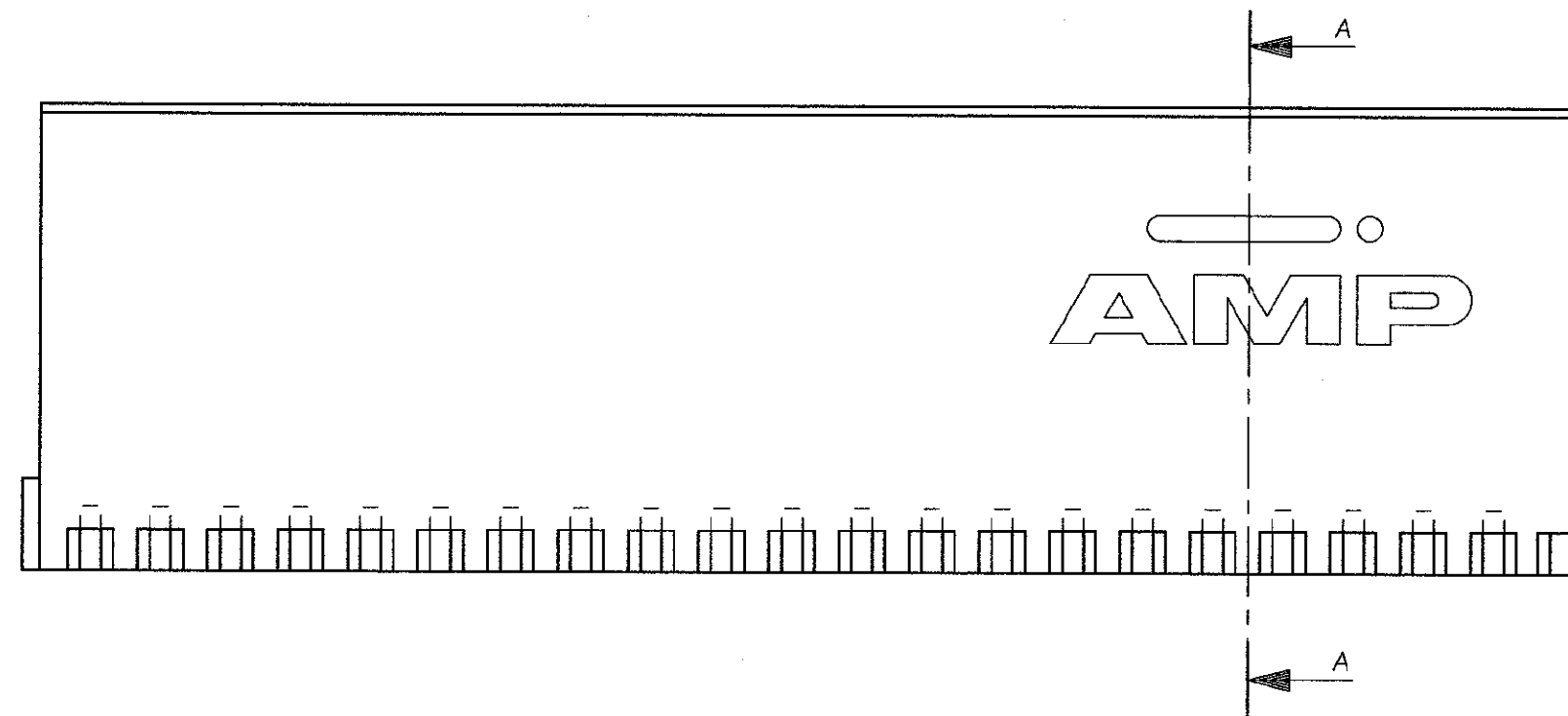
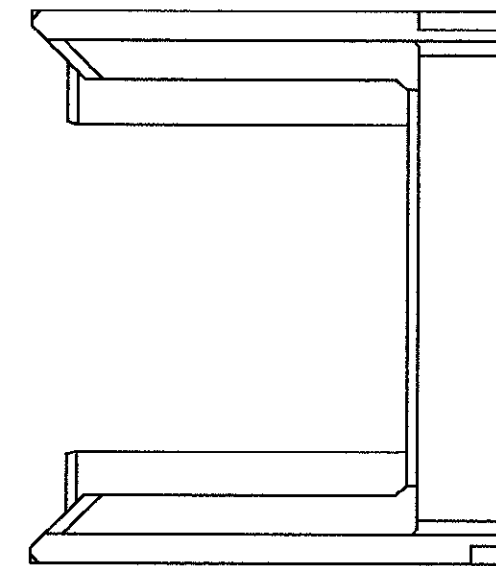
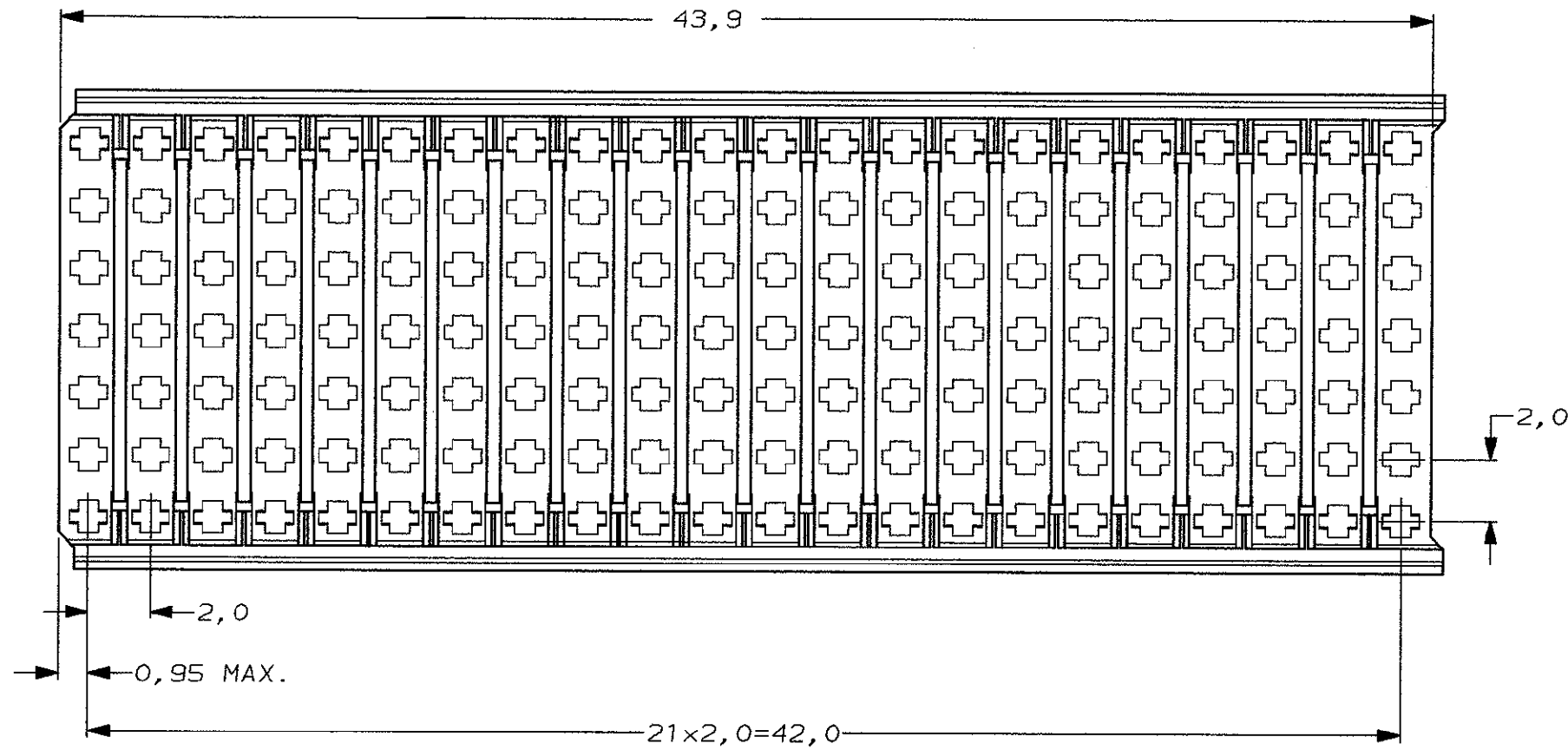
METRIC

THIRD ANGLE
PROJECTION



NOTES:

- 1 MATERIAL HOUSING: GLASSFILLED POLYESTER.
- △ HOUSING PRINTED WITH PARTNUMBER AND DATE CODE.



352130-2 AS SHOWN

		FINISH		MATERIAL		PARTNUMBER	
-	-	-	-	-	-	CUSTOMER DRAWING FOR REFERENCE ONLY WILL NOT BE UPDATED	
-	-	-	-	-	-	© COPYRIGHT 1996 BY AMP-HOLLAND B.V. ALL INTERNATIONAL RIGHTS RESERVED. AMP PRODUCTS MAY BE COVERED BY U.S. AND FOREIGN AND/OR PATENTS PENDING.	
-	-	-	-	-	-	THIS DRAWING IS UNPUBLISHED RELEASED FOR PUBLICATION	
-	-	-	-	-	-	AMP HOLLAND B.V. 's-Hertogenbosch, The Netherlands.	
A	EH-0196-96	DT	FvK	05-DEC-96	NAME		
0	EH-0196-96	DT	FvK	19-AUG-96	Z-PACK 2mm HM		
LTR.	REVISION RECORD		DR.	CHK.	DATE	154 POS. SHROUD TYPE B	
DR.:	D. TRUREN	CHK.:	F. v. KOWINGSBERG	APP.:	B. MOOIJ	DWG. No.	REV. LTR.
DATE:	19-AUG-96	DATE:	19-AUG-96	DATE:	1-7-97	C-352130	A
							SHEET 1 OF 1

G
F
E
D
C
B
A